



### Data Center Ready Today, and Tomorrow

- Advanced DDoS protection
- Burst tolerant for large web properties
- Compact 1U form factor with low power consumption
- Accelerate with SSL Offload, RAM Caching and Compression
- Advanced features; GSLB, aFlex traffic control and aXAPI management
- Most comprehensive IPv6 transition and IPv4 preservation support
- No licensing fees for premium features

### Cost Effective Scalability

- High performance reduces legacy ADCs and OPEX
- Virtualization for multi-tenancy and consolidation
- Scale up with Virtual Chassis (aVCS), no upfront investment
- Handle larger SSL key sizes (up to 4096-bit)
- 10 Gb port connectivity
- More power, Intel Xeon Octo-core CPUs
- No performance licenses

### Application Optimization

- Optimize any application, including Microsoft SharePoint, Exchange, Lync, ADFS, Oracle, DNS and more
- Improve web server response times and reduce required servers

### Built for Uptime and Peace of Mind

- Redundant power supply included
- SSD versus HDD (no spinning media)
- Reliable server grade ECC memory
- Application health checks

- Value: High SSL Performance and 10 Gb Ports
- Efficiency: Smallest Form Factor (1U) in Class
- Reliability: Carrier-grade Hardware Platform with Lights Out Management

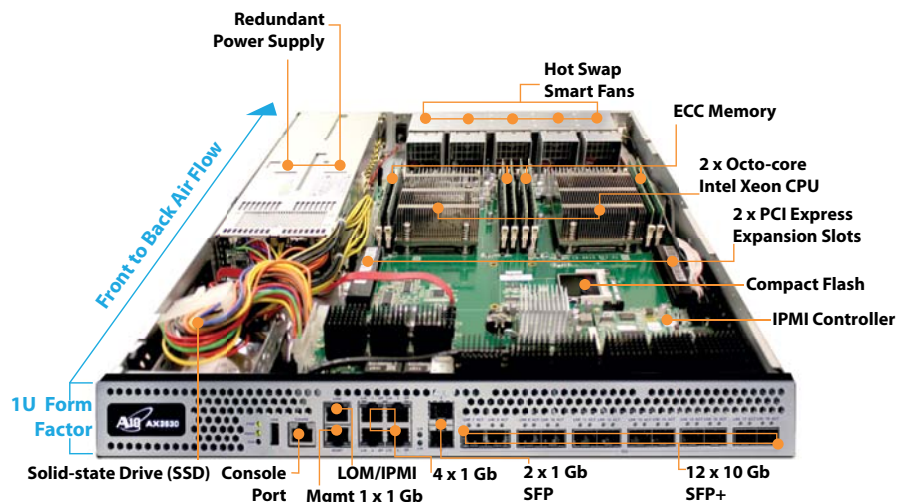
The AX 3530 is a 64-bit 1U Advanced Application Delivery Controller (ADC) in the award winning A10 Networks line of hardware appliances. The AX 3530 offers high value in the upper range of the AX 10 Gb port platforms for key projects such as Server Load Balancing, Virtualization and IPv6 Migration.

Like all AX Series hardware appliances, the AX 3530 delivers maximum performance and advanced software features without any additional licensing fees, ensuring no budget surprises or need to purchase licenses during unforeseen peak loads.

The AX 3530 offers 115 Gbps of throughput, and 1.3 million Layer 4 Connections per Second (L4 CPS) while consuming a maximum 467 Watts, which translates to 2784 L4 CPS per Watt in a 1U platform. The AX 3530 is the SSL CPS leader per RU with 1024-bit keys at 120,000 CPS and 2048-bit keys at 98,000 CPS.

Reliable operation with maximum uptime and cutting-edge performance can be guaranteed with high quality hardware specifications and components, including Lights Out Management (LOM) support with the integrated Intelligent Platform Management Interface (IPMI). The AX 3530's two Octo-core Intel Xeon processors, 12 x 10 Gbps ports, Error Correcting Code (ECC) memory and Solid-state Drive (SSD) deliver data center robustness, all backed by world class support.

The AX 3530's reliability, scalability and performance dramatically raise the bar for any Advanced Traffic Manager requiring 10 Gb port density, high throughput rates and high scalability.



## AX Series Features

### Application Delivery Features

- Comprehensive IPv4/IPv6 Support
- Advanced Layer 4/Layer 7 Server Load Balancing
  - ◆ Fast HTTP, Full HTTP Proxy
  - ◆ High-performance, template-based Layer 7 switching with header/URL/domain manipulation
  - ◆ Comprehensive Layer 7 application persistence support
- Comprehensive load balancing methods
  - ◆ Round Robin, Least Connections, Weighted RR, Weighted LC, Fastest Response, & more
- aFleX – deep packet inspection and transformation for customizable, application-aware switching
- Advanced Health Monitoring
  - ◆ Comprehensive Protocol Support – ICMP, TCP, UDP, HTTP, HTTPS, FTP, RTSP, SMTP, POP3, SNMP, DNS, RADIUS, LDAP, & more
  - ◆ TCL Scriptable Health Check Support
  - ◆ High Availability – Active-Active, Active-Standby configurations with sub-second failover
  - ◆ SIP Load Balancing for VoIP and other rich-media applications
  - ◆ STARTTLS support for Secure Email (POPS, SMTPS, IMAPS) & LDAPS
- Spam Filter Support – high-speed application of very large black/white lists
- Firewall Load Balancing (FWLB)
- Global Server Load Balancing (GSLB)
- Transparent Cache Switching (TCS)
- Link Load Balancing (LLB)
- Diameter AAA Load Balancing

### Acceleration & Security Features

- HTTP Acceleration & Optimization

- ◆ HTTP Connection Multiplexing
- ◆ HTTP Caching
- ◆ HTTP Compression
- SSL Acceleration
  - ◆ Hardware-based SSL Offload
  - ◆ Support for all TCP Protocols – SSL Termination, SSL Bridging (SSL Initiation)
  - ◆ TLS 1.2 and 4096-bit SSL key support
- SSL Session ID Reuse
- SYN Cookies, IP Anomaly Detection
- Connection Rate Limiting/Connection Limiting
- DNS Application Firewall
- SSL Intercept

### High Performance, Scalable Platform

- ACOS Operating System
  - ◆ Multi-core, Multi-CPU support
  - ◆ Linear Application Scaling
  - ◆ Linux on Control Plane
- ACOS on Data Plane

### Networking

- Integrated Layer 2/Layer 3
- Transparent Mode/Gateway Mode
- Routing – Static Routes, IS-IS (v4/v6), RIPv2/ng, OSPF v2/v3, BGP4+
- VLAN (802.1Q)
- Trunking (802.1AX), LACP
- Access Control Lists (ACLs)
- Traditional IPv4->IPv4 NAT/NAPT
- IPv6->IPv6 NAPT
- Jumbo frame support

### IPv6 Migration/IPv4 preservation

- Full native IPv6 management and feature support
- SLB-PT (Protocol Translation), SLB-64 (IPv4->IPv6, IPv6->IPv4)
- Application Level Gateways (ALGs) for

- FTP, TFTP, RTSP, PPTP, SIP, ICMP, DNS, ESP
- Carrier Grade NAT (CGN), Large Scale NAT (LSN), NAT444, NAT44, NAT46
- NAT64/DNS64, DS-Lite, 6rd

### Management

- Dedicated management interface (Console, SSH, Telnet, HTTPS)
- Web-based Graphical User Interface (GUI) with Language Localization
- Industry-standard Command Line Interface (CLI)
- SNMP, Syslog, Email Alerts
- Port Mirroring
- REST-style XML API (aXAPI)
- LDAP, TACACS+, RADIUS Support

### Virtualization

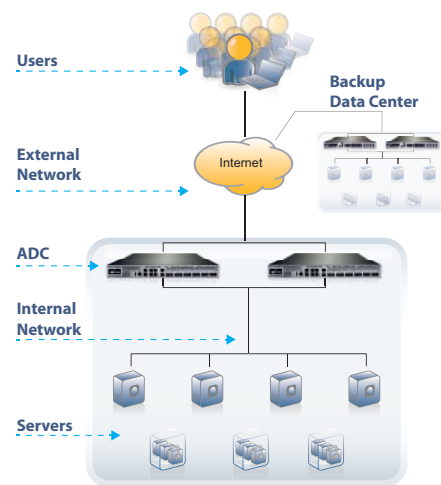
- aVCS (AX Virtual Chassis System)
- SoftAX Virtual Appliance for VMware vSphere, Citrix Xen and KVM option
- Multi-tenancy with Application Delivery Partitions (ADPs)
  - ◆ Role-based Administration (RBA)
  - ◆ Partition-based Management
  - ◆ L2/L3 Virtualization
- Hypervisor acceleration and management integration

### Carrier-grade Hardware

- Advanced hardware architecture
- Redundant Power Supplies
- AC or DC Power Supplies
- Smart Fans (hot swap)
- Solid-state drive (SSD) and Compact Flash
- High Port Density
- 10 Gb, 1 Gb Ports
- Lights Out Management (LOM/IPMI)

## AX 3530 Appliance Summary

	AX 3530
<b>Processor</b>	2 x Intel Xeon Octo-core
<b>Hardware Acceleration</b>	2 x SSL expansion cards (option)
<b>Memory</b>	64 GB
<b>Ethernet Interfaces</b>	4 x 1 Gb Copper 2 x 1 Gb Fiber (SFP) 12 x 10 Gb Fiber (SFP+)
<b>Application Delivery Partitions (ADP) RBA/L3V</b>	128/64
<b>Management Interface</b>	1 Dedicated
<b>Console Port</b>	1 Console Interface
<b>Power Supply</b>	Dual 750 W RPS included, 100 – 240 VAC, Frequency 50 – 60 Hz
<b>Max Power Consumption</b>	467 W
<b>Operating Temperature Range</b>	0° – 40° C
<b>Dimensions</b>	1.75 in (H) x 17.25 in (W) x 22.8 in (D)
<b>Unit Weight</b>	29.6 lbs
<b>Regulatory Certification</b>	FCC Class A, UL, CE, TUV, CB, VCCI
<b>Standard Warranty</b>	90-day Hardware & Software



Application Delivery Landscape